

 **Filtrowent**®
The clean **air** factory

ZASPNEU PNEUMATIC SLIDE DAMPERS



ZASPNEU - PNEUMATIC SLIDE DAMPERS

Pneumatic slide dampers ZASPNEU are designed for instant and tight shut-off of air flow inside pipelines and they are often used in industrial dust collection systems. The use of pneumatic slide dampers enables efficient prevention of pressure loss in the extraction system and reduces energy consumption.

They are a great alternative for manual slide dampers especially in places with limited access, and they can be programmed so they open/close automatically in accordance with the work of the connected machines.

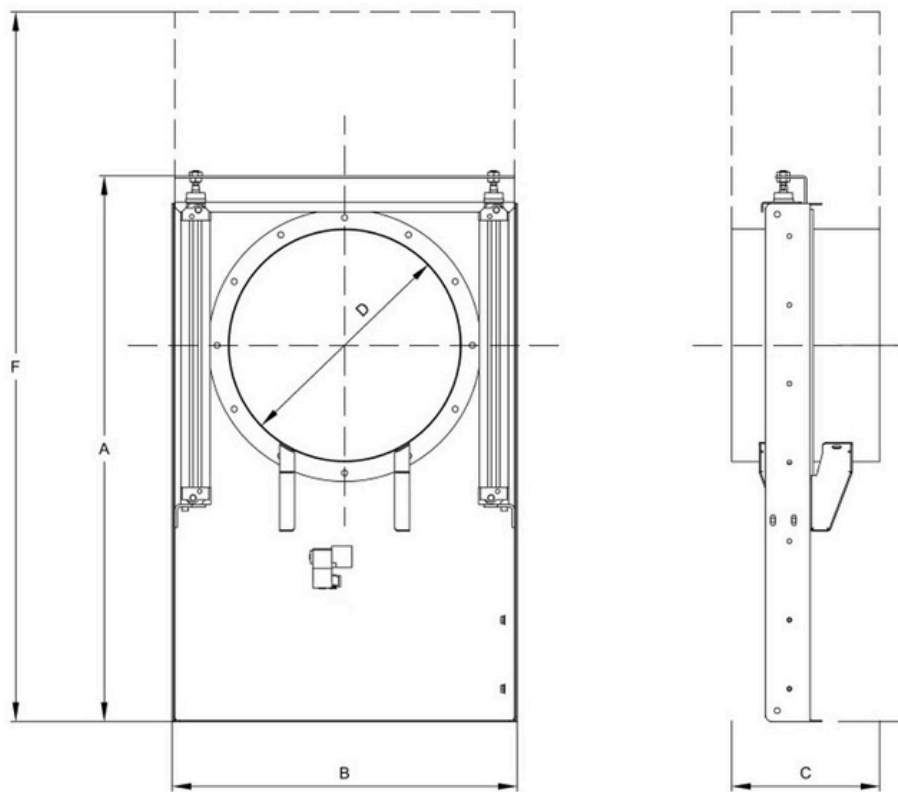
Dampers are driven by pneumatic actuators connected with compressed air system.

- solid construction made of 1,5 - 3 mm galvanized steel
- tight and instant shut-off inside pipelines
- provided with top quality electrical equipment (actuators, solenoid valves) designed for explosion risk zones
- standard coil 24 DC, optionally 230 AC
- designed to work in explosion risk zones 21 and 22

II 2/3D Ex h IIIC T100stC Db/Dc°C



PNEUMATIC SLIDE DAMPERS



D [mm]	A [mm]	B [mm]	C [mm]	F [mm]	Body thickness [mm]	Plate thickness [mm]	Number of acutators
80	265	234	125	360	1,5	2	1
100	305	254	125	420	1,5	2	1
120	345	274	125	480	1,5	2	1
125	355	279	125	495	1,5	2	1
140	385	294	125	540	1,5	2	1
150	405	304	125	570	1,5	2	1
160	425	314	125	600	1,5	2	1
180	465	334	125	660	1,5	2	1
200	505	354	125	720	1,5	2	1
225	575	359	165	815	2	3	2
250	625	384	165	890	2	3	2
275	675	409	165	965	2	3	2
300	725	434	165	1 040	2	3	2
315	755	449	165	1 085	2	3	2
350	830	526	165	1 195	2	3	2
400	930	576	165	1 345	2	3	2
450	1045	672	250	1 510	3	3	2
500	1145	722	250	1 660	3	3	2
550	1245	772	250	1 810	3	3	2
600	1345	822	250	1 960	3	3	2
630	1405	852	250	2 050	3	3	2
650	1445	872	250	2 110	3	3	2
700	1545	922	250	2 260	3	3	2
750	1645	972	250	2 410	3	3	2
800	1745	1022	250	2 560	3	3	2

COMPONENTS FOR DEDUSTING SYSTEMS

- silos for bulk solids
- cyclones
- pneumatic diverters
- screw conveyors
- rotary valves
- ATEX protective systems
- grinding tables and extraction walls
- extraction fans