

 **Filtrowent**[®]
The Clean Air Company

**PRODUCT
PREMIERE**

 **DREMA**

10-13.09.2024, Poznań

EKO MAX JET DUST COLLECTOR

ATEX COMPLIANT



EKO-MAX JET BAGHOUSE DUST COLLECTOR

**NEW
PRODUCT**

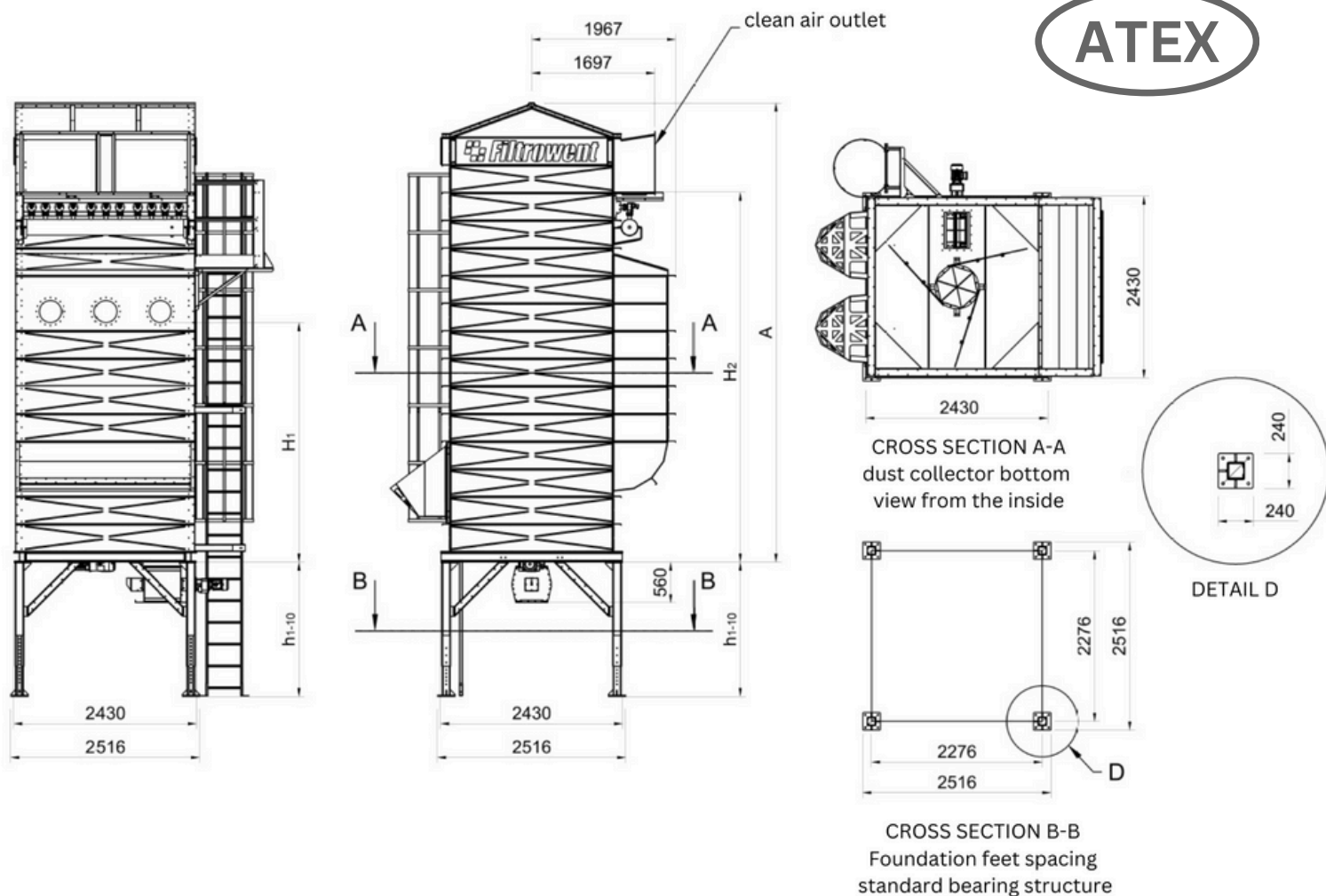


- 1** compressed air cleaning system
- 2** inlet module for dusted air
- 3** standard bearing structure - emptying into a big bag or higher structure - into container

- 4** rotary valve - ATEX explosion isolation system
- 5** ladder with platform
- 6** dry riser - fire protection
- 7** clean air return ducting
- 8** filter bags (length selection)
- 9** vent panels & deflectors - ATEX system
- 10** outfeeder - dust collector emptying system



EKO-MAX JET BAGHOUSE DUST COLLECTOR



BASIC TECHNICAL DATA

EKOmax JET type	Filter bags length [mm]		Filtration surface [m ²]	Bearing structure height h1-10 [mm]	Dust collector height A [mm]	Height H1 to inlet [mm]	Height H2 to outlet [mm]	Weight [-kg]
EKOmax-JET-2,0/150/STD	SX	1960	112	Min h1: 1550 h2: 1600 h3: 1650 h4: 1700 h5: 1750 h6: 1800 h7: 1850 h8: 1900 h9: 1950 Max h10: 2000	5562	2478 + h1-10	4328 + h1-10	3000
EKOmax-JET-2,5/150/STD	S	2450	140		5942	2858 + h1-10	4708 + h1-10	3250
EKOmax-JET-3,0/150/STD	M	2940	168		6322	3238 + h1-10	5088 + h1-10	3500
EKOmax-JET-3,5/150/STD	L	3430	196		7082	3998 + h1-10	5848 + h1-10	3750
EKOmax-JET-4,0/150/STD	XL	3920	224		7462	4378 + h1-10	6228 + h1-10	4000
EKOmax-JET-4,5/150/STD	2XL	4410	252		7842	4758 + h1-10	6608 + h1-10	4250
EKOmax-JET-5,0/150/STD	3XL	4900	280		8222	5138 + h1-10	6988 + h1-10	4500



EKO-MAX JET BAGHOUSE DUST COLLECTOR

FILTRATION EFFICIENCY

Filter load [m ³ /m ² /h]	80	90	100	110	120	130	140	150	160	170	180
EKOmax JET type [filter bags length]	Filtration efficiency m ³ /h										
EKOmax-JET-2,0/150/STD [SX]	8960	10080	11200	12320	13440	14560	15680	16800	17920	19040	20160
EKOmax-JET-2,5/150/STD [S]	11200	12600	14000	15400	16800	18200	19600	21000	22400	23800	25200
EKOmax-JET-3,0/150/STD [M]	13440	15120	16800	18480	20160	21840	23520	25200	26880	28560	30240
EKOmax-JET-3,5/150/STD [L]	15680	17640	19600	21560	23520	25480	27440	29400	31360	33320	35280
EKOmax-JET-4,0/150/STD [XL]	17920	20160	22400	24640	26880	29120	31360	33600	35840	38080	40320
EKOmax-JET-4,5/150/STD [2XL]	20160	22680	25200	27720	30240	32760	35280	37800	40320	42840	45360
EKOmax-JET-5,0/150/STD [3XL]	22400	25200	28000	30800	33600	36400	39200	42000	44800	47600	50400

- highly efficient filtration
 - equipped with standard fire and explosion protection - ATEX compliant
 - operation pressure +/- 5000Pa
 - compact and modular design
 - energy saving and quiet work
 - easy maintenance
 - versatile use
 - user friendly



- 
- **dust collectors and cyclones**
 - **silos and storage tanks for bulk solids**
 - **pneumatic slide dampers and diverters**
 - **screw and chain conveyors**
 - **pipings and components for dedusting systems**